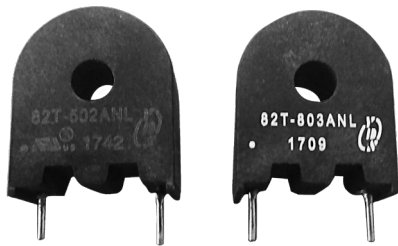


**FEATURES:**

- Designed For Switching Power Supply Applications.
- Transformer Meets Iec950 Insulation Requirements
- Frequency Range From 20khz To 200khz
- Recognized by UL 60950-1

**TEST CONDITIONS:**

- Inductance -----10KHz/500mV



**YUAN DEAN SCIENTIFIC**



**Current Sense Transformers**

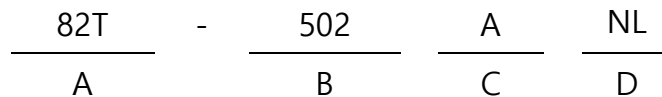
**82T SERIES**  
**Through Hole**



**Electrical Specifications@25°C- Operating Temperature 0°C to +70°C**

Part Number	SCHEM Figure	Package	Turns NS	Inductance mH(Min)	DCR (Ω Max)
82T-502ANL	A	E	50	5.0	0.7
82T-203ANL	A	E	100	20.0	1.40
82T-104ANL	A	E	200	100.0	4.50
82T-184ANL	A	E	300	180.0	11.0
82T-203BNL	B	F	100	20.0	1.4

**Part Number**

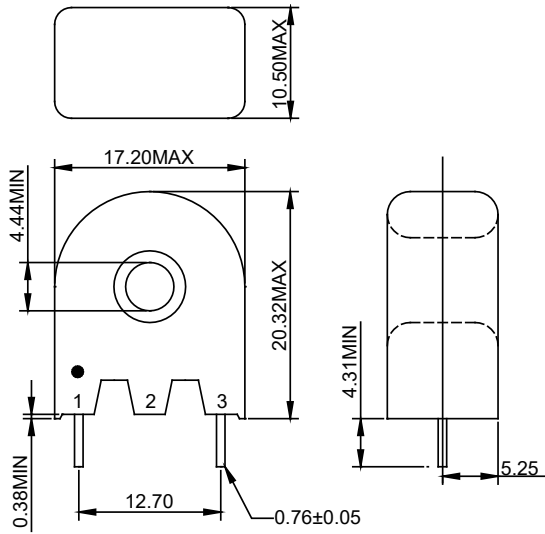


- A : Series
- B : Inductance
- C : Schematics
- D : RoHS Version

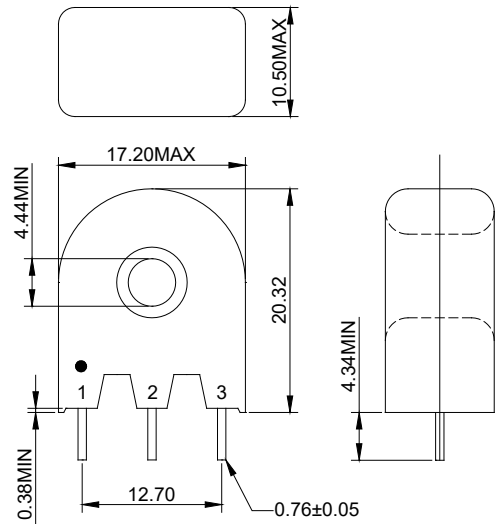


Mechanicals and Dimensions

Package E



Package F

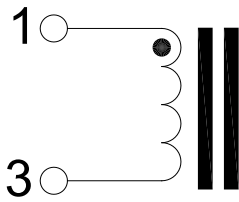


Dimensions: inches/mm

Unless otherwise specified, all tolerances are ±.005/±0.13

Schematics

A



B

