

**FEATURES :**

- 7PIN SIP Package
- High Efficiency Up To 82%
- Unregulated Output Types
- Output Continuous Short Circuit Protection
- Internal SMD Construction
- Industry Standard Pinout
- Operating Temperature:-40°C To +105°C

Specifications typical at TA=25°C, nominal input voltage and rated output current unless otherwise specified

Part Number	Output Voltage	Output Current	Ripple & Noise (mVp-p)		Efficiency
	Vdc	mA	Typ	Max	%TYP
12D1B-05S05N	5	200	60	100	80
12D1B-05S09N	9	112	60	100	80
12D1B-05S12N	12	84	60	100	80
12D1B-05S15N	15	67	60	100	80
12D1B-12S05N	5	200	60	100	80
12D1B-12S09N	9	112	60	100	80
12D1B-12S12N	12	84	60	100	82
12D1B-12S15N	15	67	60	100	81
12D1B-15S05N	5	200	60	100	78
12D1B-15S09N	9	112	60	100	79
12D1B-15S12N	12	84	60	100	79
12D1B-15S15N	15	67	60	100	79
12D1B-24S05N	5	200	60	100	77
12D1B-24S09N	9	112	60	100	79
12D1B-24S12N	12	84	60	100	79
12D1B-24S15N	15	67	60	100	79
12D1B-24S24N	24	42	60	100	81
12D1B-05D05N	±5	±100	60	100	80
12D1B-05D09N	±9	±56	60	100	80
12D1B-05D12N	±12	±42	60	100	80
12D1B-05D15N	±15	±34	60	100	80
12D1B-12D05N	±5	±100	60	100	80
12D1B-12D09N	±9	±56	60	100	80
12D1B-12D12N	±12	±42	60	100	82
12D1B-12D15N	±15	±34	60	100	81
12D1B-15D05N	±5	±100	60	100	78
12D1B-15D09N	±9	±56	60	100	78
12D1B-15D12N	±12	±42	60	100	78
12D1B-15D15N	±15	±34	60	100	78
12D1B-24D05N	±5	±100	60	100	78
12D1B-24D09N	±9	±56	60	100	79
12D1B-24D12N	±12	±42	60	100	79
12D1B-24D15N	±15	±34	60	100	78

YUAN DEAN SCIENTIFIC



DC-DC Converter

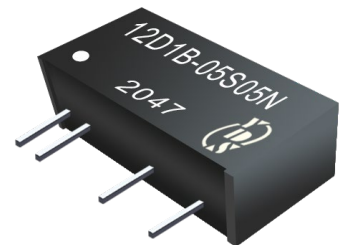
12D1B SERIES

1 Watt

6400Vdc Isolated

Single & Dual Output

SIP7



Part Number

12D1B - 05 S 05 N  
A B C D E

A:Series  
B:Input Voltage  
C:Single(S)Dual(D)  
D:Output Voltage  
E:Unregulated(N)

www.yds.com.tw



TEL : 886-6-3842899 FAX : 886-6-3843288  
E-MAIL : ydsweb@yds.com.tw

Rev: 0 2020/11/25

**Input Specifications**

Parameters	Conditions	Min	Typ	Max	Units
Voltage Tolerance	Vo, Io Nom	--	--	±10	%
Filter	Capacitor	--	--	--	--

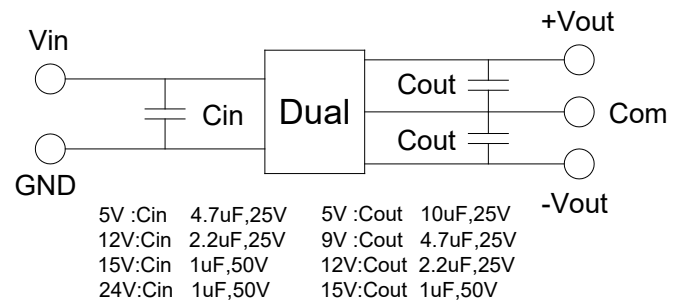
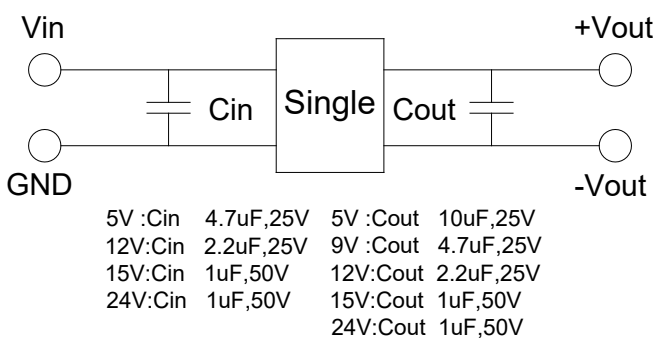
**Output Specifications**

Parameters	Conditions	Min	Typ	Max	Units
Voltage Tolerance	100% Full Load			±5	%
Short Circuit Protection	Continuous				
Line Regulation	For 1.0% OF Vin		1.2		%
Load Regulation	5V,9V (10% To 100% F.L)			15	%
	12~24V (10% To 100% F.L)			10	
	±5V,±9V (10% To 100% F.L)			15	
	±12~±24V (10% To 100% F.L)			10	

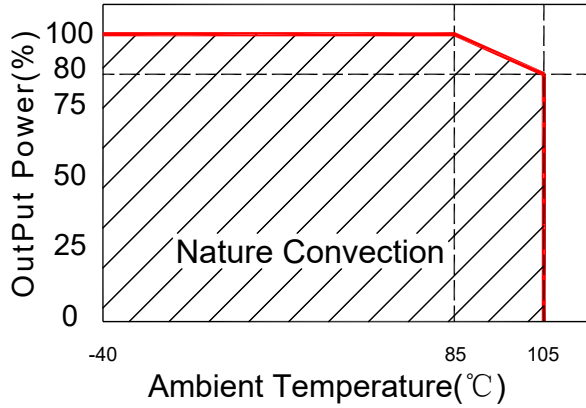
**General Specifications**

Parameters	Conditions	Min	Typ	Max	Units
Isolation Resistance	500Vdc	1000			MΩ
Switching Frequency	Full Load, Nominal Input		100		KHz
Operating Temperature		-40		+105	°C
Storage Temperature		-55		+125	°C
Humidity	Non Condensing			95	%
Cooling	Free air Convection				
Case material	DAP				
MTBF	MIL-HDBK-217F@25°C	3500000			Hours
Weight			4.0		g
Dimensions			19.50x9.80x12.50		mm

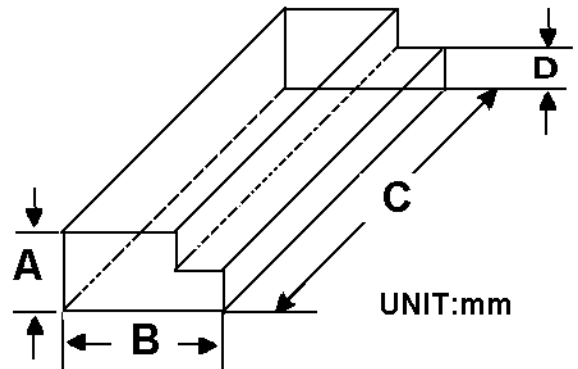
**Recommended Test Circuit**



Temperature Derating Graph

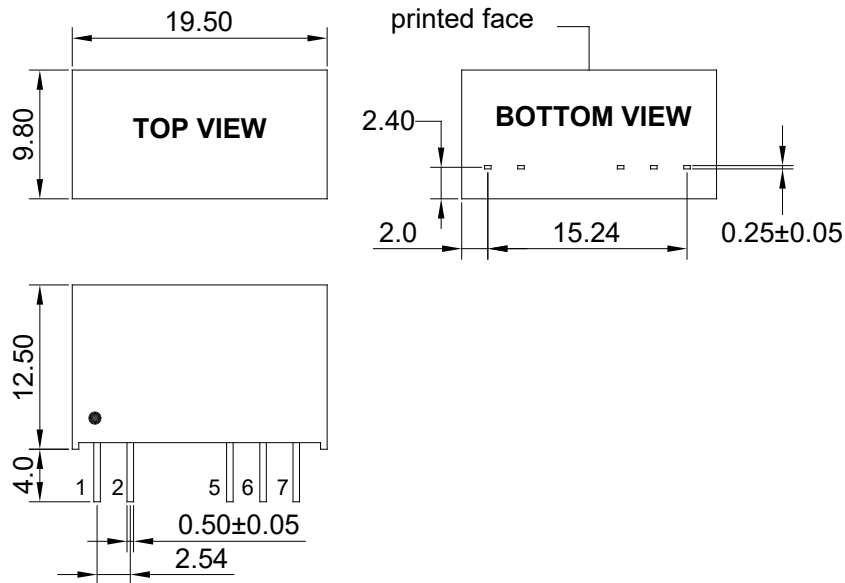


Packaging



Size(mm)			
A	B	C	D
12.0	28.55	550	6.0

Markings and Dimensions



UNIT: mm Unless otherwise specified, all tolerances are  $\pm 0.25$

PIN Connection

PIN	1	2	5	6	7
Single	+Vin	-Vin	-Vout	No Pin	+Vout
Dual	+Vin	-Vin	-Vout	Com	+Vout