

FEATURES:

- For T1/CEPT line interfaces
- Matched to leading transceiver ICs
- Designed to meet ITU-T G.703
- Recognized by UL 1950

TEST CONDITIONS:

- Inductance-----1KHz/10mV
- Leakage Inductance -----100KHz/200mV
- Interwinding Capacitance -100KHz/200mV



YUAN DEAN SCIENTIFIC



T1/CEPT/ISDN-PRI
Transformers

54T SERIES

Single Reinforced Insulation
3KVrms Isolation



Electrical Specifications@25°C-Operating Temperature 0°C to 70°C
(Unless Otherwise Noted)

Part Number	Turns Ratio ±5%	OCL (mH min.)	LL (μH max.)	Cw/w (pF max.)	DCR Pri. (Ω max.)	DCR Sec. (Ω max.)	Package/ Schematic	Primary Pins
54T-8011CNL	1.27CS:1	0.80	0.70	15	0.50	0.35	C	1-5
54T-8012CNL	1CS:1	0.80	0.70	15	0.50	0.45	C	1-5
54T-1221DNL	1:1.36CT	1.20	0.60	35	0.70	0.90	D	10-6
54T-1221ANL	1CT:2CT	1.20	0.30-0.55	20	0.50	0.90	A	1-5
54T-1221BNL	1:1	1.20	0.50	20	0.50	0.50	B	1-5
54T-1222ANL	1CT:2CT	1.20	0.80	15	0.70	1.10	A	1-5
54T-6011ENL	1CT:3CT:1	0.60	0.80	30	0.70	1.70	E	1-3
54T-1522DNL	1:1.08/1.36	1.50	0.60	20	0.70	0.90	D	10-6
54T-1523DNL	1:1.14CT	1.50	1.00	30	0.70	0.90	D	10-6
54T-1524DNL	1:1/1.26	1.50	0.60	35	0.70	1.10	D	10-6
54T-1525DNL	1:1.58/2	1.50	0.70	20	0.70	1.20	D	10-6
54T-1223ANL	1CT:1.41CT	1.20	0.80	20	0.60	0.80	A	10-6
54T-2221FNL	1:2CT	2.00	0.60	35	1.50	-	F	1-3

www.yds.com.tw



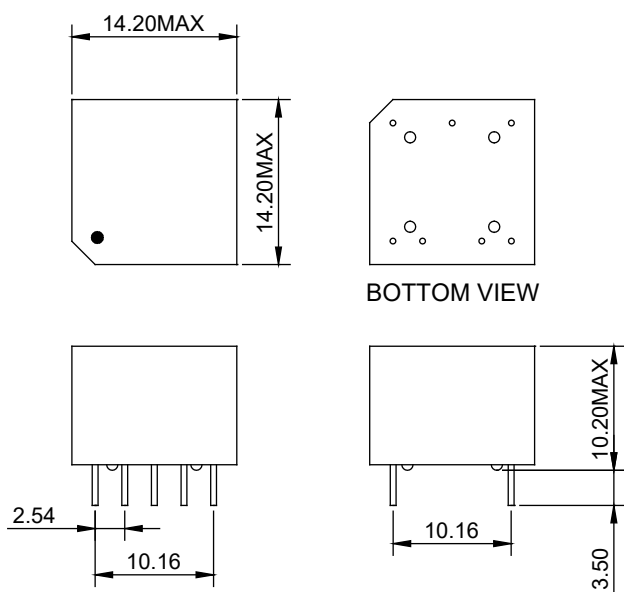
TEL : 886-6-3842899

FAX : 886-6-3843288

E-MAIL: ydsweb@yds.com.tw

Rev: 1 2018/11/14

Mechanicals and Dimensions



Dimensions: inches/mm
 Unless otherwise specified, all tolerances are $\pm 0.010/\pm 0.25$

Schematics

