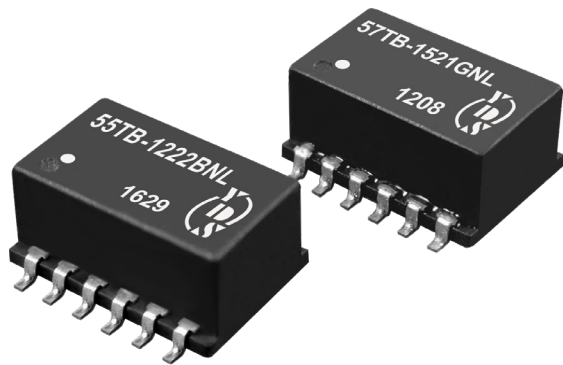


FEATURES:

- Dual SMT package contains both transmit and receive transformers
- Models matched to leading transceiver Ics
- Provide 1500vrms isolation
- Recognized by UL 1950

TEST CONDITIONS:

- Inductance-----10KHz/20mV
- Leakage Inductance -----100KHz/200mV
- Interwinding Capacitance -100KHz/200mV



YUAN DEAN SCIENTIFIC



**T1/CEPT/ISDN-PRI
Transformers**

55TB/57TB SERIES

**Dual Surface Mount
Extended and Standard
1.5KVrms Isolation**



Electrical Specifications@25°C

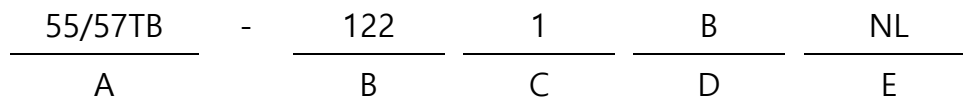
Part Number	Turns Ratio ±5%	OCL@25°C (mH min.)	LL (µH max.)	Cw/w (pF max.)	DCR Pri. (Ω max.)	DCR Sec. (Ω max.)	Primary Pins
Extended Temperature Range Models-Operating Temperature 0°C to +70°C							
55TB-1221BNL	1CT:2CT&1CT:2CT	1.20&1.20	0.80&0.80	50&50	1.00&1.00	1.70&1.70	12-10,4-6
55TB-1621ANL	1CT:2CT&1:1.36CT	1.60&1.60	1.00&0.80	60&55	1.70&1.0	2.00&1.70	12-10,4-6
55TB-1261DNL	1:1.15CT&1CT:2CT	1.60&1.60	0.80&0.80	60&50	1.00&1.00	1.00&2.00	12-10,4-6
55TB-1221ENL	1:1/1.26&1:2 CT	1.20&1.20	0.80&0.80	50&60	1.00&1.00	1.10&1.70	12-10,4-6
55TB-1621FNL	1:2 CT &2:1	1.60&1.60	1.30&1.30	55&40	1.10&1.10	1.10*0.70	1-3,4-6
55TB-1222BNL	1CT:1CT &1CT:1CT	1.20&1.20	0.80&0.80	50&50	1.00&1.00	1.00&1.00	1-3,4-6
55TB-1223BNL	1CT:1.15CT &1CT:1.15CT	1.20&1.20	0.80&0.80	50&50	1.20&1.20	1.40&1.40	1-3,4-6
55TB-1224BNL	1CT:1CT &1CT:2CT	1.20&1.20	0.80&0.80	50&50	1.00&1.00	1.00&1.80	1-3,4-6
55TB-1625BNL	1CT:1.15CT &1CT:1CT	1.60&1.60	0.80&0.80	60&60	1.20&1.20	1.40&1.20	12-10,4-6
55TB-1226BNL	1CT:1.36CT &1CT:1.36CT	1.20&1.20	0.80&0.80	50&50	1.20&1.20	1.40&1.40	1-3,4-6
55TB-1227BNL	1CT:1.41CT &1 CT:1.41CT	1.20&1.20	0.80&0.80	50&50	0.90&0.90	1.20&1.20	12-10,9-7
55TB-1228BNL	1CT:2.3CT&1CT:2CT	1.20&1.20	0.80&0.80	60*50	1.20&1.20	2.10&2.10	10-12,4-6



Electrical Specifications@25°C

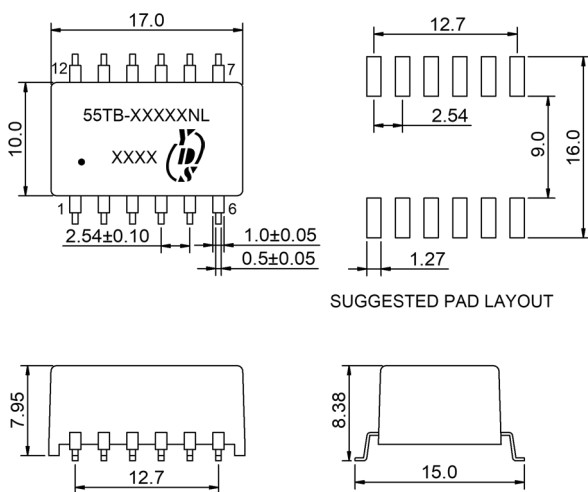
Part Number	Turns Ratio ±5%	OCL@25°C (mH min.)	LL (μH max.)	Cw/w (pF max.)	DCR Pri. (Ω max.)	DCR Sec. (Ω max.)	Primary Pins
Standard Temperature Range Models-Operating Temperature 0°C to +70°C							
57TB-1221BNL	1CT:2CT&1CT:2CT	1.20&1.20	0.60&0.60	35&35	0.70&0.70	1.20&1.20	12-10,4-6
57TB-1221ANL	1CT:2CT&1:1.36CT	1.20&1.20	0.60&0.60	35&37	0.70&0.70	1.20&0.90	12-10,4-6
57TB-1221ENL	1:2CT&1:1.14CT	1.20&1.20	0.55&0.80	40&35	0.70&0.70	1.20&0.90	12-10,4-6
57TB-1221CNL	1CT:2CT&1:1	1.20&1.20	0.30-0.55&0.80	30&30	0.70&0.70	1.20&0.70	1-3,5-6
57TB-1521DNL	1:1.15CT&1CT:2CT	1.50&1.20	0.80&0.60	35&35	0.70&0.70	0.90&1.20	12-10,4-6
57TB-1522ENL	1:1/1.26&1:2CT	1.50&1.20	0.40&0.50	40&40	0.70&0.70	0.90&1.20	12-10,4-6
57TB-1222ANL	1CT:2CT&1:1.08CT	1.20&1.20	0.60&0.60	40&30	0.70&0.70	1.10&0.90	12-10,4-6
57TB-1521GNL	1:1/1.26&1:1/1.26	1.50&1.50	0.48&0.40	45&45	0.80&0.80	1.00&1.00	12-10,9-7

Part Number



- A : Series
- B : Inductance
- C : Sequence id
- D : Schematic
- E : RoHS Version

Mechanicals and Dimensions



Dimensions: inches/mm
 Unless otherwise specified, all tolerances are ±.010/±0.25

Schematics

