

FEATURES :

- 10 Watt DIL Package
- 4:1 Wide Input Voltage
- 100% Burned In
- High Efficiency To 85%
- Customized Solutions Available
- Remote Control: On/Off
- UL94V-0 Package Material
- Operating Temperature:-40°C to +87°C
- 3 Years Warranty
- Design refer to EN50155

YUAN DEAN SCIENTIFIC



DC-DC Converter

68DW-R1 SERIES

10Watt 1.6KV Isolated

4 : 1 Input Voltage Range

Single & Dual Output

1.25"X0.8"

Specifications typical at TA=25°C, nominal input voltage and rated output current unless otherwise specified

Part Number	Input Voltage	Input Current (mA TYP)		Output Voltage	Output Current	Efficiency
	Vdc	No Load	Full Load	Vdc	Full Load (mA)	%TYP
68DW-110S03R1	40-160	6	112	3.3	3000	81
68DW-110S05R1	40-160	6	110	5	2000	82
68DW-110S12R1	40-160	6	108	12	833	84
68DW-110S15R1	40-160	6	107	15	670	85
68DW-110D12R1	40-160	6	106	±12	±420	85
68DW-110D15R1	40-160	6	109	±15	±340	85

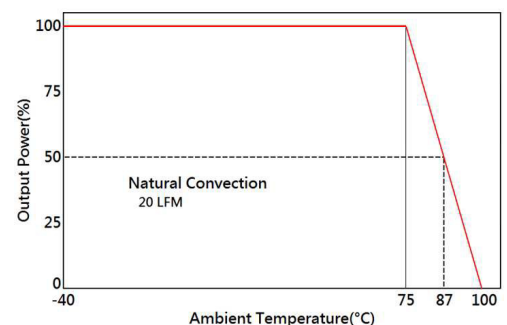


Input Specifications

Parameters	Conditions	Min	Typ	Max	Units	
Voltage Types				4:1		
Surge Voltage (1 sec. max.)	110V models			170	Vdc	
Input Filter	PI Type					
Reflected ripple current			30		mAp-p	
Remote ON/OFF (Refer to -Vin PIN)	Positive Logic	ON : Open	3	12	Vdc	
		OFF: Short	0	1.2	Vdc	
	Input current of Ctrl PIN		0.5		0.5	mA
	Remote off input current			3		mA



Temperature Derating Graph



www.yds.com.tw



TEL : 886-6-3842899 FAX : 886-6-3843288
E-MAIL : ydsweb@yds.com.tw

Rev:1.0 2019/01/03

Output Specifications

Parameters	Conditions	Min	Typ	Max	Units
Voltage Tolerance	Full load@ Vin(nom.)			±2	%
Line Regulation				±0.5	%
Load Regulation	Single			±0.5	%
	Dual (Balance Load)			±0.5	%
Cross Regulation	Dual			±5	%
	(25% To 100% Load)				
Ripple & Noise	Output:3-15V TYPES BW=DC To 20MHz			100	mVp-p
	Output > 15V TYPES BW=DC To 20MHz			1% of Vout	mVp-p
Transient response setting time	25% load step change			350	us
Short Circuit Protection	Hiccup, automatic Recovery				

General Specifications

Parameters	Conditions	Min	Typ	Max	Units
Isolation Voltage			1600		Vdc
Isolation Resistance	500Vdc	1000			MΩ
Switching Frequency			330		KHz
Operating Temperature	With derating	-40		87	°C
Storage Temperature		-55		125	°C
Humidity	Non Condensing			95	%
Cooling	Natural Convection (20LFM)				
Case material	Nickel coated copper with no-conductive base				
MTBF	MIL-HDBK-217F@25°C	900000			Hours
Weight			17.5		g
Dimensions			31.6x20.1x10.0		mm

General Specifications

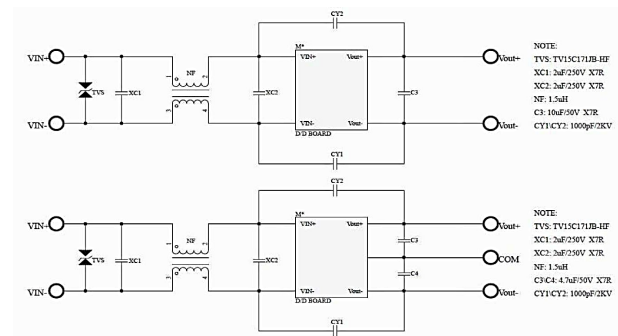
Pin	1	2,3	9	11	14	16	22,23
Single	Remote On/Off	-Vin	NC	NC	+Vout	-Vout	+Vin
Dual	Remote On/Off	-Vin	Com	-Vout	+Vout	Com	+Vin

Part Number

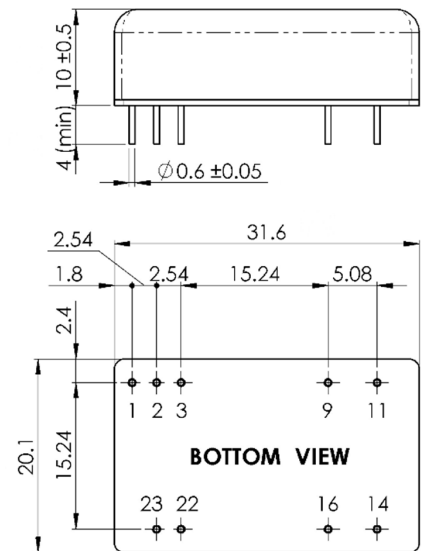
68DW - 24 S 03 R 1
A B C D E F

- A : Series
- B : Input Voltage
- C : Single(S); Dual(D)
- D : Output Voltage
- E : Regulated(R)
- F : Case Type

Recommended Test Circuit



Dimensions



Unit : mm
Tolerance : XX.X ±0.5 , XX.XX ±0.25