

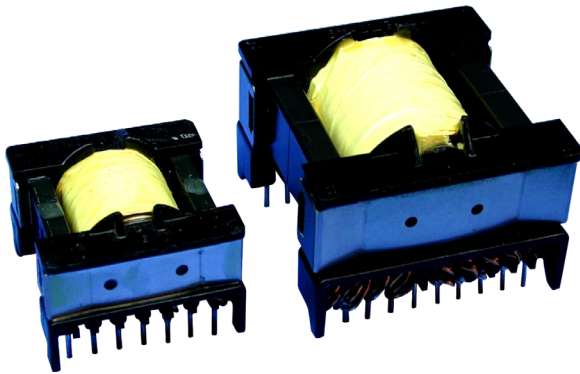
FEATURES:

- High Frequency Power Transformer
- High Frequency Switching Transformer
- Current Sensors
- Wide Variety of Other Size and Values Available

YUAN DEAN SCIENTIFIC



**High Frequency
Transformers
ETD SERIES**



Part Number

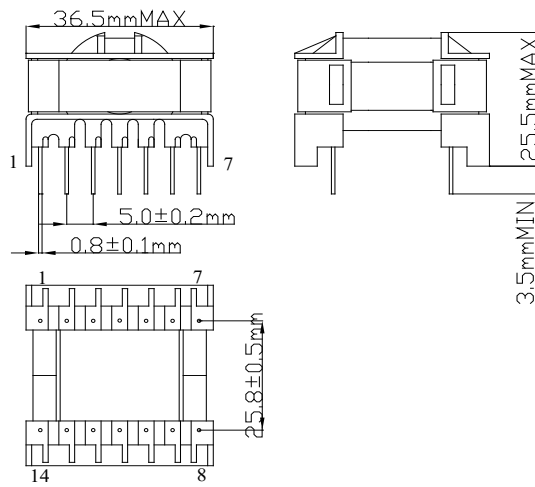
29ETD	-	182	1	C	NL
A		B	C	D	E

- A : Series
- B : Inductance
- C : Sequence id
- D : Schematics
- E : RoHS Version

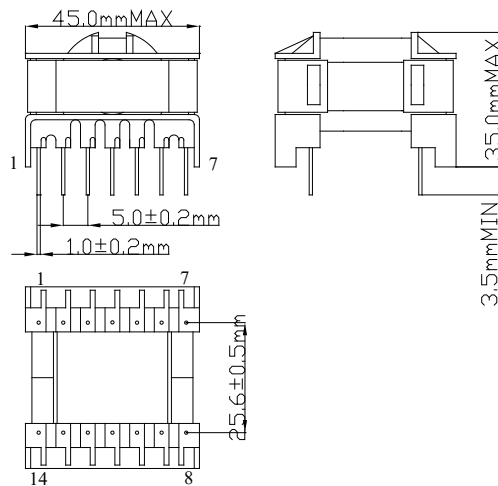


Mechanicals and Dimensions

29ETD



34ETD



49ETD

