

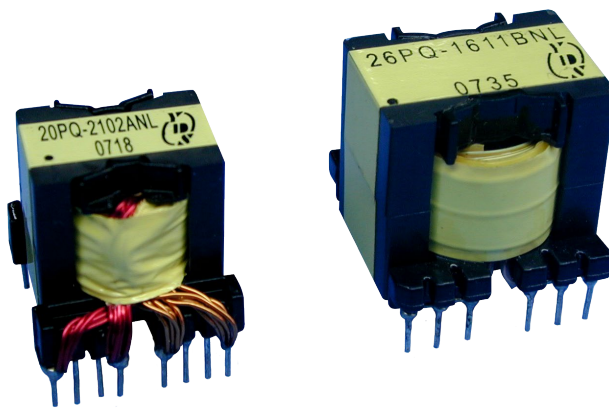
**FEATURES:**

- High Frequency Power Transformer
- High Frequency Switching Transformer
- Current Sensors
- Wide Variety of Other Size and Values Available

**YUAN DEAN SCIENTIFIC**



**High Frequency  
Transformers  
PQ SERIES**



**Part Number**

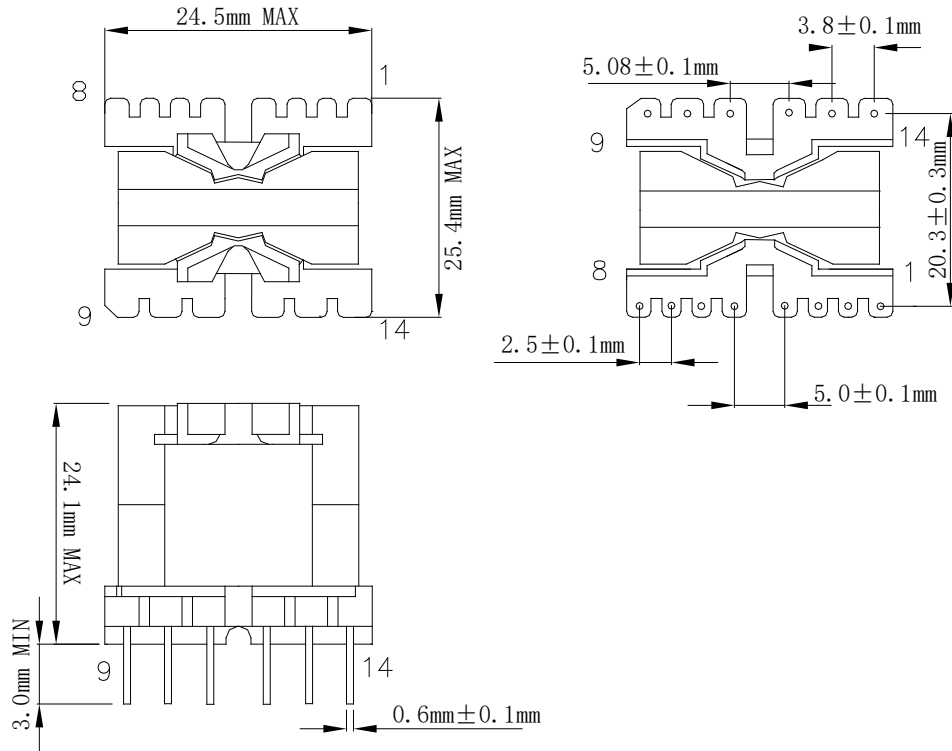
20PQ	-	210	1	A	NL
A		B	C	D	E

- A : Series
- B : Inductance
- C : Sequence id
- D : Schematics
- E : RoHS Version



Mechanicals and Dimensions

20PQ



26PQ

