

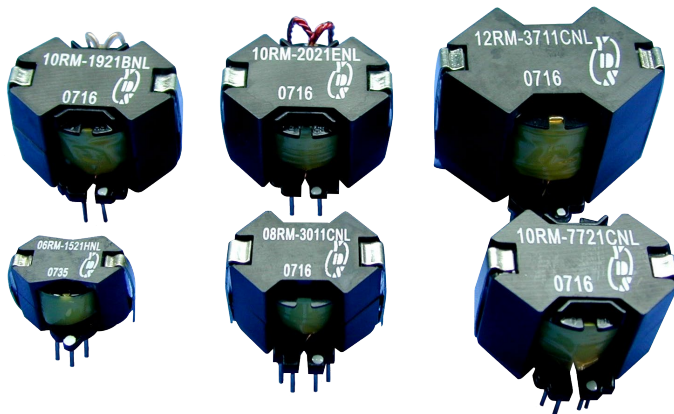
**FEATURES:**

- High Frequency Power Transformer
- High Frequency Switching Transformer
- Inductors Transformer
- Wide Variety of Other Size and Values Available

**YUAN DEAN SCIENTIFIC**



**High Frequency  
Transformers  
RM SERIES**



**Part Number**

06	SRM	-	152	1	H	NL
A			B	C	D	E

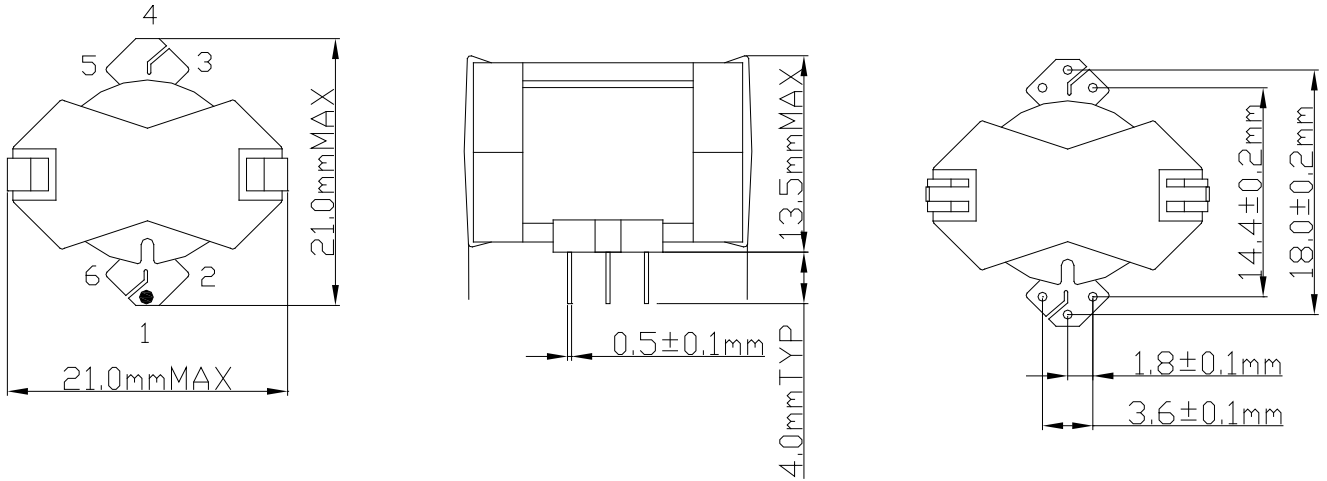
- A : Series S:SMD NO S:DIP
- B : Inductance
- C : Sequence id
- D : Schematics
- E : RoHS Version



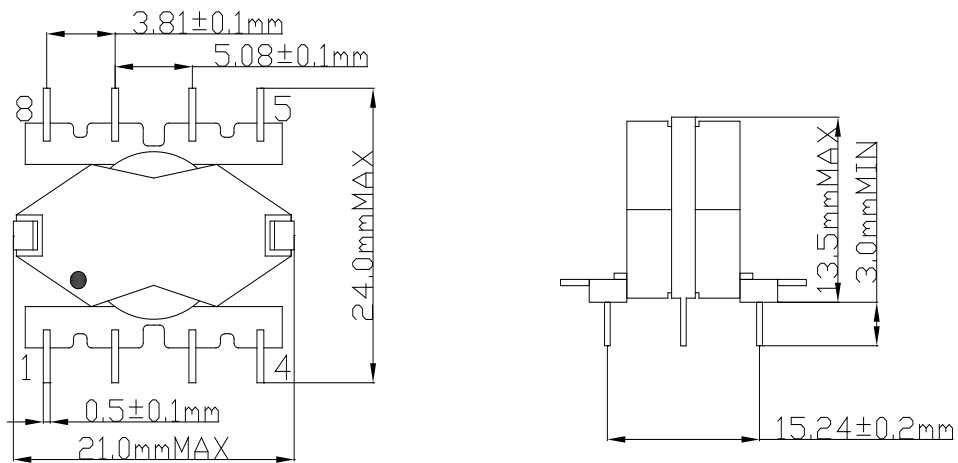
Mechanicals and Dimensions

06RM

A



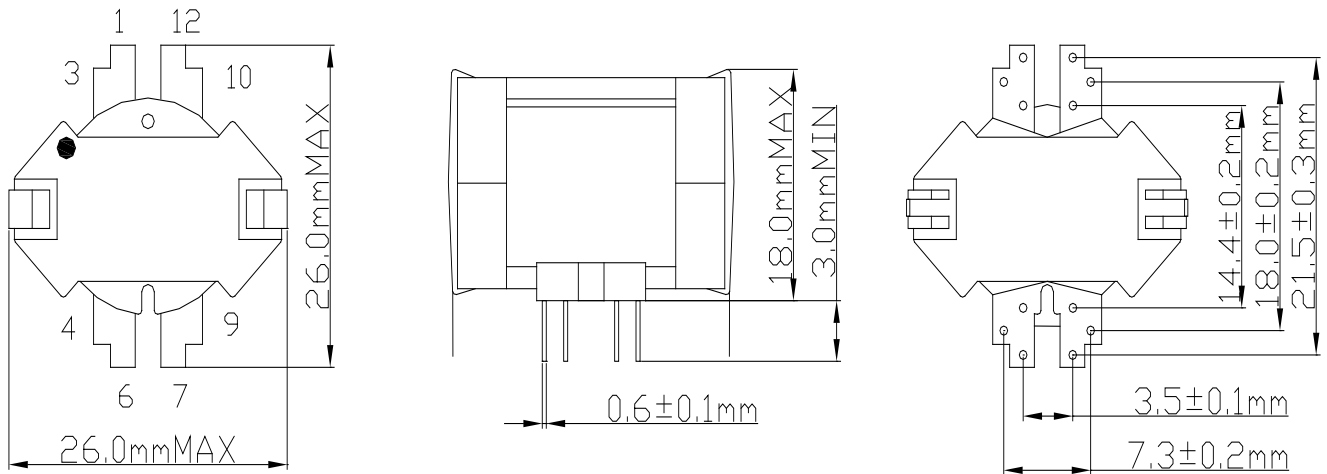
B



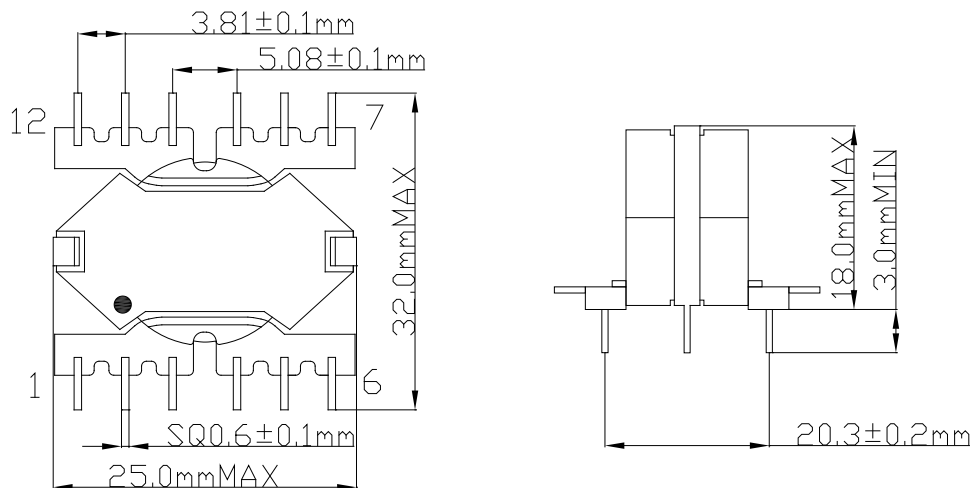
Mechanicals and Dimensions

08RM

A

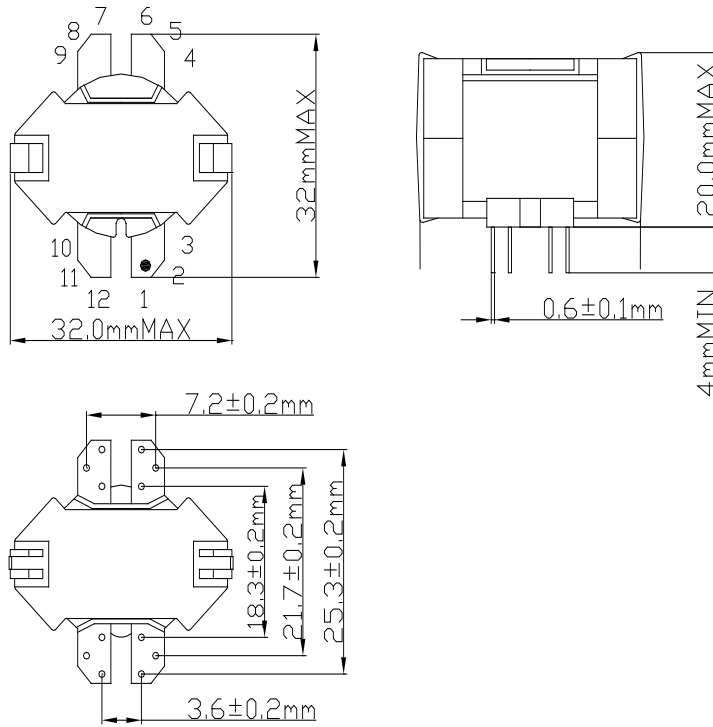


B



Mechanicals and Dimensions

10RM



12RM

